

11

12

12a

13

Ovlašteni servis za podržnje BH
OMEGA PANELI d.o.o.
 Restni bh. 48000 Masar. Baza i Hercegovina
 Tel./fax: +387 (0)36 546 392.
 e-mail: prodaja@omegapanell.hr
 www.omegapanell.hr

Ovlašteni servis za podržnje Hrvatske, EU
OMEGA PANELI d.o.o.
 U. Nezamaj, jurska 143,
 51000 PODGORICA, CRNA GORA
 Tel.: +385 (0) 33 15 730
 Fax: +385 (0) 33 99 801
 e-mail: prodaja@omegapanell.hr

01/10/2018
TIP/TYPE
106

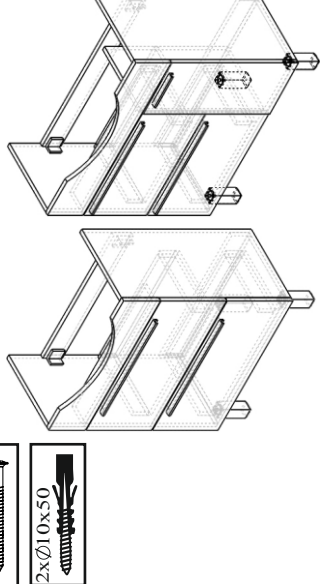
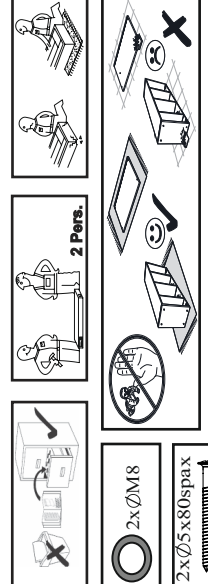
GB ASSEMBLY INSTRUCTIONS

Bathroom furniture units are designed for a long service life in the bathroom. To ensure lasting enjoyment of our quality products, we would ask you to heed the following points:

- It is essential that a shower partition is installed if the furniture is located immediately next to the bathing/showering area
- Ensure su client ventilation (windows, venting)
- Avoid contact with water remove splashes immediately

WARNINGS:

- No direct sun impact on furniture
- No direct wetting furniture by authorized persons.
- The fixing material/screws well plus is suitable for solid walls with su client load-bearing capacity please use special fittings in other situations.
- Use only fixing material from well-know producers.
- Electrical fittings should only be installed by experts in view of Part701of VDE0100701
- Hanger bolts are not included with delivery!
- The light must be at least in zone 3(out of zone2)away from the tub or the source of water drizzle.
- Installation, connection, and change must be performed by a qualified person.
- The electric bulb must not exceed the pres the prescribed power.
- It is forbidden to hold halogen and reflector bulbs with bare hands.
- See the Installation Note in compliance to the norm DIN EN 14749
- **WEEE RECYCLE:**
- The manufacturer has secured that EE equipment that it placed on the market is manufactured in a way
- The use of hazardous substances has been reduced to a minimum, and recycled materials were used as maximum as possible.
- It is possible to disassemble, and especially to re-use and recycle its components and materials.
- When the product becomes waste, it doesn't represent danger or damage for human health and environment and it is not a barrier to waste management.
- Instructions on disposal EE and plate wastes
- EE and plate waste is there
- Unused wastes is forbidden and it is mandatory to collect that waste separately
- This waste should be disposed on a recycling yard
- After the use of it is recommended to ventilate the bathroom and to wipe up eventual water which fell down the cabinet, doors or the mirror for longer water soaking can cause blooming of edges (edge boards) or glass corrosion on the mirror. It is not allowed to pour the water on the products so the furniture is not waterproof. It is important to know that because of the mould or soaking you are not entitled to the product replacement or to price cutting as this is cause which is related to the product care.



2x Ø M8
2x Ø 5 x 80 spax
2x Ø 10 x 50

2 Pers.

60 min.

not included
 nicht inklusiv

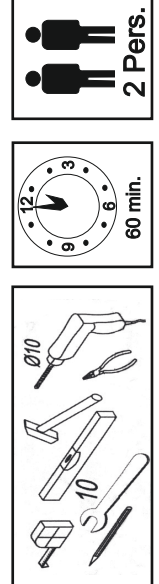
Sifon

Silicon

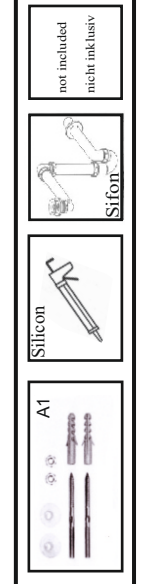
A1

Ø 10
10

2 Pers.



Ø 10
10

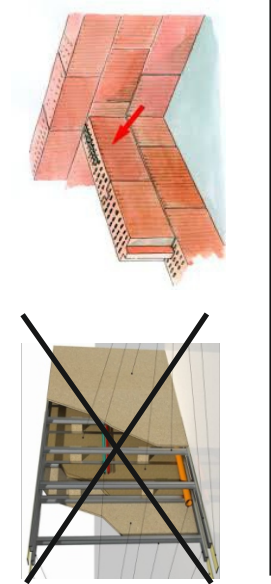


not included
 nicht inklusiv

Sifon

Silicon

A1

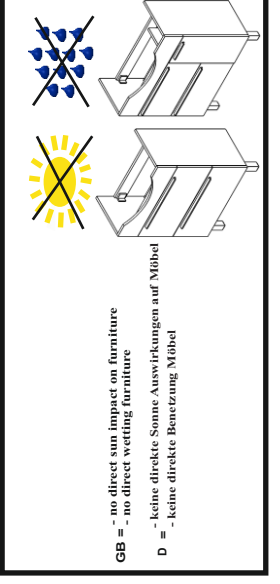


not included
 nicht inklusiv

Sifon

Silicon

A1



not included
 nicht inklusiv

Sifon

Silicon

A1

GB = no direct sun impact on furniture
D = no direct wetting furniture

- keine direkte Sonne Auswirkungen auf Möbel
 - keine direkte Benetzung Möbel

11

12

12a

13

11

12

12a

13

11

12

12a

13

11

12

12a

13

11

12

12a

13

11

12

12a

13

11

12

12a

13

11

12

12a

13

11

12

12a

13

11

12

12a

13

11

12

12a

13

11

12

12a

13

11

12

12a

13

11

12

12a

13

11

12

12a

13

11

12

12a

13

11

12

12a

13

11

12

12a

13

11

12

12a

13

11

12

12a

13

Important Installation Note in compliance to the norm DIN EN 14749
Wichtiger Montagehinweis zur Einhaltung der DIN EN 14749

